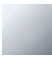
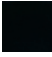



**EDITION PRO Wall-mounted single-lever basin mixer without pop-up waste -
Chrome**

36 810 626



- 170mm projection
- fixed spout
- circular, air-enriched flow
- hole diameter spout 37 mm
- hole diameter single-lever mixer 57 mm
- rosette for spout Ø 55mm
- rosette for mixer Ø 78mm
- max. flow 7 l/min
- lead-free

| | | |
|---|----------------|---------------|
|  | Chrome | 36 810 626-00 |
|  | Matte Black | 36 810 626-33 |
|  | Brushed Chrome | 36 810 626-93 |

Required miscellaneous



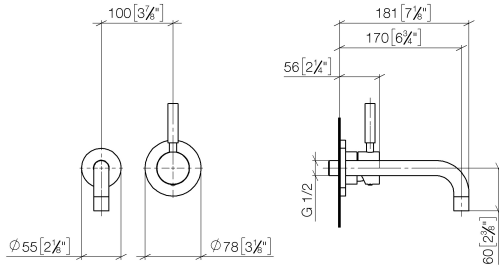
EDITION PRO Concealed wall-mounted single-lever mixer mixer on right - 35 870 970 90

- max. recess depth 95 mm
- min. recess depth 80 mm

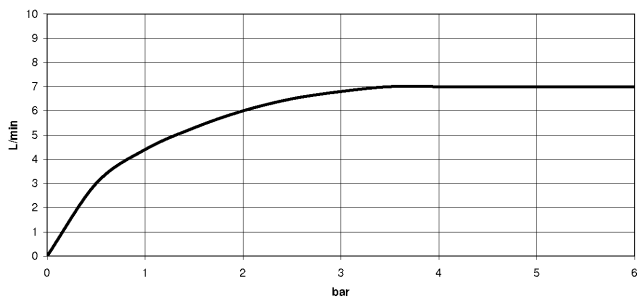


EDITION PRO Wall-mounted single-lever basin mixer without pop-up waste - Chrome

36 810 626
mm [inches]



Flow rate chart

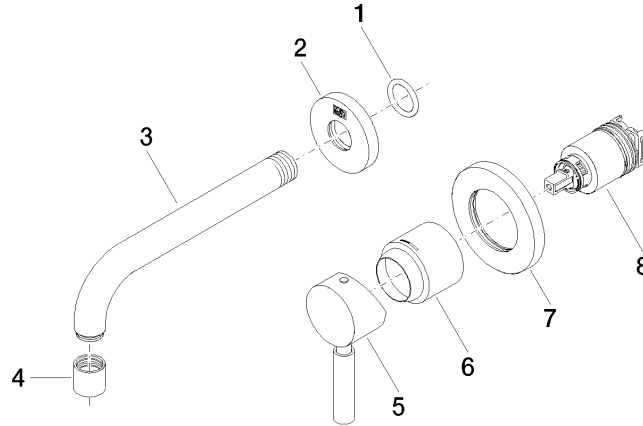


Certificates

WRAS_2107048. LGA_9280.

**EDITION PRO Wall-mounted single-lever basin mixer without pop-up waste -
Chrome**

36 810 626



Spare parts list

| No. | Item Number | Name | Quantity used | Delivery time |
|-----|--------------------|-----------|---------------|---------------|
| 1 | 90 14 10 026 00 90 | seal | 1 | 2 |
| 2 | 09 27 22 503-00 | rosette | 1 | 10 |
| 3 | 04 28 22 115 10-00 | spout | 1 | 10 |
| 4 | 90 23 01 019 00-00 | aerator | 1 | 10 |
| 5 | 90 20 62 040 00-00 | handle | 1 | 10 |
| 6 | 09 11 02 522-00 | cover | 1 | 10 |
| 7 | 90 27 62 011 00-00 | rosette | 1 | 10 |
| 8 | 90 15 05 064 01 90 | cartridge | 1 | 2 |